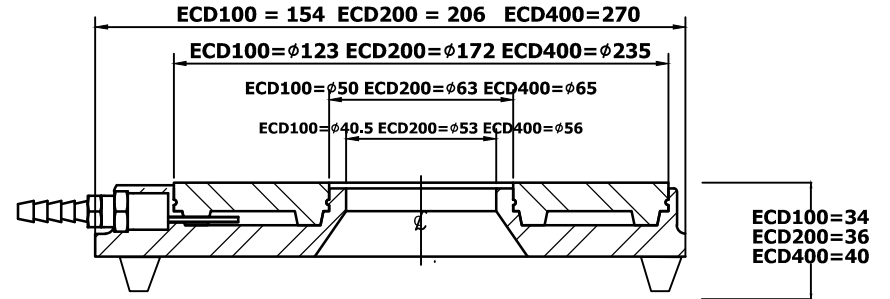


ECD100=φ174
 ECD200=φ226
 ECD400=φ292

PLAN VIEW



ECD100 = 154 ECD200 = 206 ECD400=270

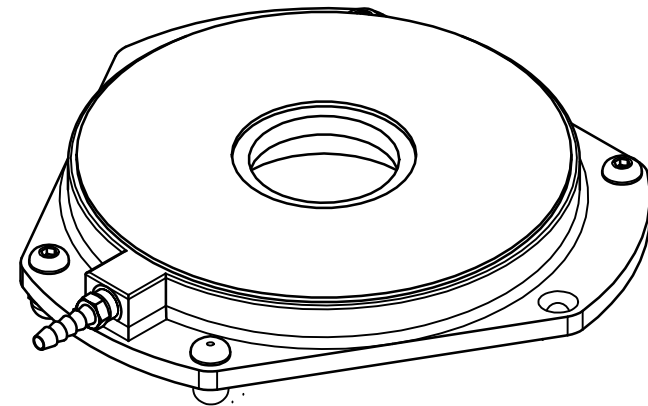
ECD100=φ123 ECD200=φ172 ECD400=φ235

ECD100=φ50 ECD200=φ63 ECD400=φ65

ECD100=φ40.5 ECD200=φ53 ECD400=φ56

ECD100=34
 ECD200=36
 ECD400=40

SECTION E-E



ISOMETRIC VIEW

REVISIONS		REFERENCE DRAWINGS		DRAWN BY:	ENVIRO CERAMIC CC	ENVIRO CERAMIC LTD	
		DRG NO.	DESCRIPTION	P. JACOBS	30 McCULLUM ST.	ECD100, ECD 200 and ECD 400 Dimensions	
				DATE:	PO BOX 290, MTUNZINI 3867	CERAMIC MICRO BUBBLE DIFFUSER	
				2019/10/23	SOUTH AFRICA	All Sizes in mm	
				CHECKED BY:	TEL: +27 35 342890		
				K. HOLZTRAGER	info@enviroceramic.com		
				DATE:	www.enviroceramic.com		
				2019/10/23	NOTICE: THIS DRAWING HAS NOT BEEN PUBLISHED AND IS THE SOLE PROPERTY OF ENVIRO CERAMIC AND IS LOANED TO THE BORROWER FOR HIS CONFIDENTIAL USE ONLY. THE BORROWER PROMISES AND AGREES TO RETURN IT UPON REQUEST AND AGREES THAT IT SHALL NOT BE REPRODUCED, COPIED, LOANED OR OTHERWISE DISPOSED OF DIRECTLY OR INDIRECTLY, NOR USED FOR ANY PURPOSE OTHER THAN THAT FOR WHICH IT IS FURNISHED.		